

Elastomer jaw couplings

with clamping hub

SPECIFICATION

Bore codes

- Type **B**: without keyway
- Type **K**: with keyway (from $d_1 = 30$)

Hub

Aluminum **AL**
anodized, natural color

Coupling spider
Polyurethane (TPU)
temperature resistant up to 60 °C

Hardness

- 80 Shore A, blue **BS**
- 92 Shore A, white **WS**
- 98 Shore A, red **RS**

Socket cap screws DIN 912
Steel, blackened

Temperature range: -20 °C up to +60 °C

INFORMATION

Elastomer jaw couplings GN 2240 can transmit very high torques while compensating for shaft misalignments and runout tolerances. They are preferred in applications where the focus lies on pure torque and power transmission.

The choice of three coupling spiders with different hardness values allows the properties of the coupling to be optimally matched to the specific requirements. The clamping hubs and simple plug-in installation make jaw couplings very easy to assemble.

With the bore code K, the keyway is always integrated into both bores d_2 and d_3 .

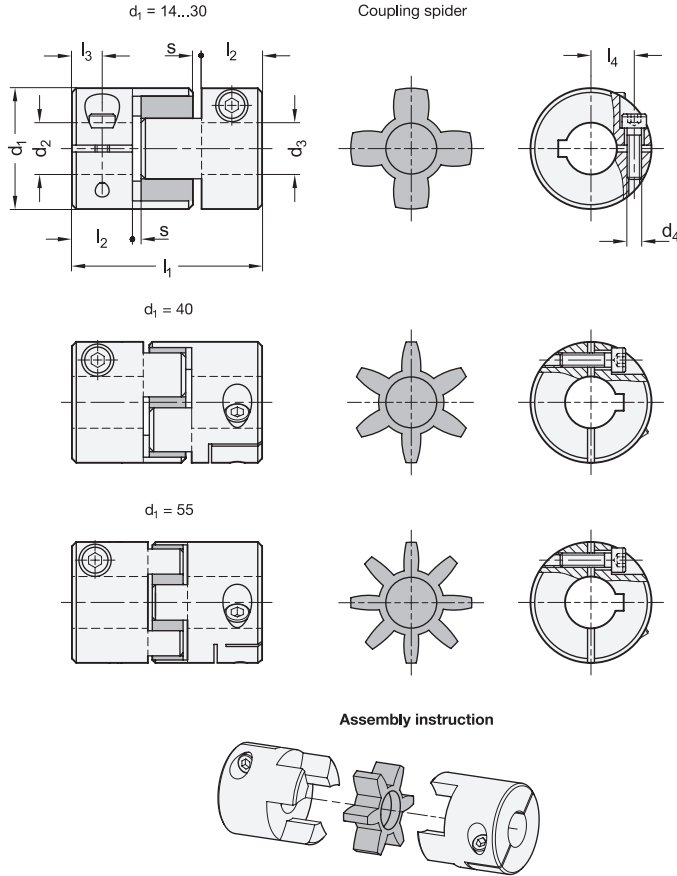
ACCESSORY

- Coupling spiders GN 2240.1 (see page)

TECHNICAL INFORMATION

- Keyway P9 DIN 6885 (see page A16)
- ISO-Fundamental Tolerances (see page A21)
- Elastomer characteristics (see page A32)





TECHNICAL VALUES


| d1 | Coupling spider | Shore hardness coupling spider | Rated torque in Nm | Max. torque in Nm | Max. speed (min ⁻¹) | Moment of inertia in kgm ² | Static torsional stiffness in Nm/rad | Max. shaft misalignment | | |
|----|-----------------|--------------------------------|--------------------|-------------------|---------------------------------|---------------------------------------|--------------------------------------|-------------------------|-------------|--------------|
| | | | | | | | | lateral in mm | axial in mm | angular in ° |
| 14 | BS | 80A | 0.7 | 1.4 | 45.000 | 2.0 × 10 ⁻⁷ | 8 | 0.15 | 0.6 | 1 |
| 14 | WS | 92A | 1.2 | 2.4 | 45.000 | 2.0 × 10 ⁻⁷ | 14 | 0.1 | 0.6 | 1 |
| 14 | RS | 98A | 2 | 4 | 45.000 | 2.0 × 10 ⁻⁷ | 22 | 0.1 | 0.6 | 1 |
| 20 | BS | 80A | 1.8 | 3.6 | 31.000 | 1.1 × 10 ⁻⁶ | 16 | 0.2 | 0.8 | 1 |
| 20 | WS | 92A | 3 | 6 | 31.000 | 1.1 × 10 ⁻⁶ | 29 | 0.15 | 0.8 | 1 |
| 20 | RS | 98A | 5 | 10 | 31.000 | 1.1 × 10 ⁻⁶ | 55 | 0.1 | 0.8 | 1 |
| 30 | BS | 80A | 4 | 8 | 21.000 | 6.2 × 10 ⁻⁶ | 46 | 0.2 | 1 | 1 |
| 30 | WS | 92A | 7.5 | 15 | 21.000 | 6.2 × 10 ⁻⁶ | 73 | 0.15 | 1 | 1 |
| 30 | RS | 98A | 12.5 | 25 | 21.000 | 6.2 × 10 ⁻⁶ | 130 | 0.1 | 1 | 1 |
| 40 | BS | 80A | 4.9 | 9.8 | 15.000 | 3.7 × 10 ⁻⁵ | 380 | 0.15 | 1.2 | 1 |
| 40 | WS | 92A | 10 | 20 | 15.000 | 3.7 × 10 ⁻⁵ | 570 | 0.1 | 1.2 | 1 |
| 40 | RS | 98A | 17 | 34 | 15.000 | 3.7 × 10 ⁻⁵ | 1200 | 0.1 | 1.2 | 1 |
| 55 | BS | 80A | 17 | 34 | 11.000 | 1.6 × 10 ⁻⁴ | 1400 | 0.2 | 1.4 | 1 |
| 55 | WS | 92A | 35 | 70 | 11.000 | 1.6 × 10 ⁻⁴ | 1600 | 0.15 | 1.4 | 1 |
| 55 | RS | 98A | 60 | 120 | 11.000 | 1.6 × 10 ⁻⁴ | 2600 | 0.1 | 1.4 | 1 |



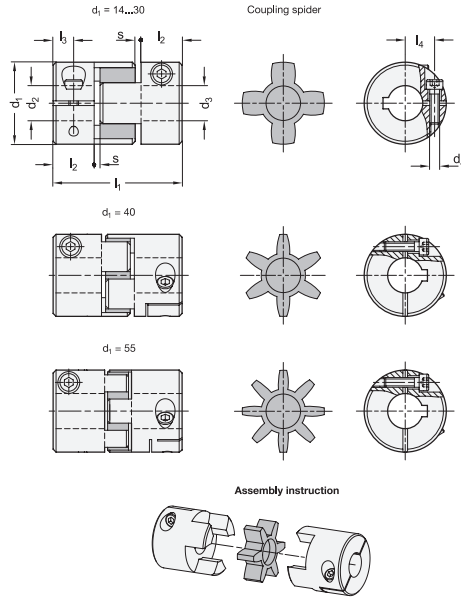
* Complete with shore hardness of the couplings (BS, RS, WS)

BS RS WS

GN 2240-B

| Description | d1 | d2 - d3 H8 recommended shaft tolerance h7 | d4 | l1 | l2 recommended shaft insertion depth | l3 | l4 | s recommended installation spacing |  |
|------------------------|----|---|-------------|----|--|------|---------|---|---|
| GN 2240-14-B3-3-AL-* | 14 | 3-3 | M 2 | 22 | 7 | 3.5 | 4 | 1 | 9 |
| GN 2240-14-B3-4-AL-* | 14 | 3-4 | M 2 | 22 | 7 | 3.5 | 4 | 1 | 9 |
| GN 2240-14-B3-5-AL-* | 14 | 3-5 | M 2 | 22 | 7 | 3.5 | 4 | 1 | 9 |
| GN 2240-14-B3-6-AL-* | 14 | 3-6 | M 2 / M 1.6 | 22 | 7 | 3.5 | 4 / 5 | 1 | 9 |
| GN 2240-14-B4-4-AL-* | 14 | 4-4 | M 2 | 22 | 7 | 3.5 | 4 | 1 | 9 |
| GN 2240-14-B4-5-AL-* | 14 | 4-5 | M 2 | 22 | 7 | 3.5 | 4 | 1 | 9 |
| GN 2240-14-B4-6-AL-* | 14 | 4-6 | M 2 / M 1.6 | 22 | 7 | 3.5 | 4 / 5 | 1 | 9 |
| GN 2240-14-B5-5-AL-* | 14 | 5-5 | M 2 | 22 | 7 | 3.5 | 4 | 1 | 9 |
| GN 2240-14-B5-6-AL-* | 14 | 5-6 | M 2 / M 1.6 | 22 | 7 | 3.5 | 4 / 5 | 1 | 9 |
| GN 2240-14-B6-6-AL-* | 14 | 6-6 | M 1.6 | 22 | 7 | 3.5 | 5 | 1 | 9 |
| GN 2240-20-B5-5-AL-* | 20 | 5-5 | M 2.5 | 30 | 10 | 5 | 6.5 | 1 | 22 |
| GN 2240-20-B5-6-AL-* | 20 | 5-6 | M 2.5 | 30 | 10 | 5 | 6.5 | 1 | 22 |
| GN 2240-20-B5-8-AL-* | 20 | 5-8 | M 2.5 | 30 | 10 | 5 | 6.5 | 1 | 22 |
| GN 2240-20-B6-6-AL-* | 20 | 6-6 | M 2.5 | 30 | 10 | 5 | 6.5 | 1 | 22 |
| GN 2240-20-B6-8-AL-* | 20 | 6-8 | M 2.5 | 30 | 10 | 5 | 6.5 | 1 | 22 |
| GN 2240-20-B8-8-AL-* | 20 | 8-8 | M 2.5 | 30 | 10 | 5 | 6.5 | 1 | 22 |
| GN 2240-30-B8-8-AL-* | 30 | 8-8 | M 4 | 35 | 11 | 5.5 | 10 | 1.5 | 51 |
| GN 2240-30-B8-10-AL-* | 30 | 8-10 | M 4 | 35 | 11 | 5.5 | 10 | 1.5 | 51 |
| GN 2240-30-B8-12-AL-* | 30 | 8-12 | M 4 | 35 | 11 | 5.5 | 10 | 1.5 | 51 |
| GN 2240-30-B8-14-AL-* | 30 | 8-14 | M 4 / M 3 | 35 | 11 | 5.5 | 10 / 11 | 1.5 | 51 |
| GN 2240-30-B10-10-AL-* | 30 | 10-10 | M 4 | 35 | 11 | 5.5 | 10 | 1.5 | 51 |
| GN 2240-30-B10-12-AL-* | 30 | 10-12 | M 4 | 35 | 11 | 5.5 | 10 | 1.5 | 51 |
| GN 2240-30-B10-14-AL-* | 30 | 10-14 | M 4 / M 3 | 35 | 11 | 5.5 | 10 / 11 | 1.5 | 51 |
| GN 2240-30-B12-12-AL-* | 30 | 12-12 | M 4 | 35 | 11 | 5.5 | 10 | 1.5 | 51 |
| GN 2240-30-B12-14-AL-* | 30 | 12-14 | M 4 / M 3 | 35 | 11 | 5.5 | 10 / 11 | 1.5 | 51 |
| GN 2240-30-B14-14-AL-* | 30 | 14-14 | M 3 | 35 | 11 | 5.5 | 11 | 1.5 | 51 |
| GN 2240-40-B12-12-AL-* | 40 | 12-12 | M 5 | 66 | 25 | 8.5 | 14 | 2 | 181 |
| GN 2240-40-B12-14-AL-* | 40 | 12-14 | M 5 | 66 | 25 | 8.5 | 14 | 2 | 181 |
| GN 2240-40-B12-15-AL-* | 40 | 12-15 | M 5 | 66 | 25 | 8.5 | 14 | 2 | 181 |
| GN 2240-40-B12-16-AL-* | 40 | 12-16 | M 5 | 66 | 25 | 8.5 | 14 | 2 | 181 |
| GN 2240-40-B14-14-AL-* | 40 | 14-14 | M 5 | 66 | 25 | 8.5 | 14 | 2 | 181 |
| GN 2240-40-B14-15-AL-* | 40 | 14-15 | M 5 | 66 | 25 | 8.5 | 14 | 2 | 181 |
| GN 2240-40-B14-16-AL-* | 40 | 14-16 | M 5 | 66 | 25 | 8.5 | 14 | 2 | 181 |
| GN 2240-40-B15-15-AL-* | 40 | 15-15 | M 5 | 66 | 25 | 8.5 | 14 | 2 | 181 |
| GN 2240-40-B15-16-AL-* | 40 | 15-16 | M 5 | 66 | 25 | 8.5 | 14 | 2 | 181 |
| GN 2240-40-B16-16-AL-* | 40 | 16-16 | M 5 | 66 | 25 | 8.5 | 14 | 2 | 181 |
| GN 2240-55-B18-18-AL-* | 55 | 18-18 | M 6 | 78 | 30 | 10.5 | 20 | 2 | 414 |
| GN 2240-55-B18-19-AL-* | 55 | 18-19 | M 6 | 78 | 30 | 10.5 | 20 | 2 | 414 |
| GN 2240-55-B18-20-AL-* | 55 | 18-20 | M 6 | 78 | 30 | 10.5 | 20 | 2 | 414 |
| GN 2240-55-B18-25-AL-* | 55 | 18-25 | M 6 | 78 | 30 | 10.5 | 20 | 2 | 414 |
| GN 2240-55-B19-19-AL-* | 55 | 19-19 | M 6 | 78 | 30 | 10.5 | 20 | 2 | 414 |
| GN 2240-55-B19-20-AL-* | 55 | 19-20 | M 6 | 78 | 30 | 10.5 | 20 | 2 | 414 |
| GN 2240-55-B19-25-AL-* | 55 | 19-25 | M 6 | 78 | 30 | 10.5 | 20 | 2 | 414 |
| GN 2240-55-B20-20-AL-* | 55 | 20-20 | M 6 | 78 | 30 | 10.5 | 20 | 2 | 414 |
| GN 2240-55-B20-25-AL-* | 55 | 20-25 | M 6 | 78 | 30 | 10.5 | 20 | 2 | 414 |
| GN 2240-55-B25-25-AL-* | 55 | 25-25 | M 6 | 78 | 30 | 10.5 | 20 | 2 | 414 |

Weight type BS



* Complete with shore hardness of the couplings (BS, RS, WS)

BS RS WS

GN 2240-K

| Description | d1 | d2 - d3 H8 recommended shaft tolerance h7 | d4 | l1 | l2 recommended shaft insertion depth | l3 | l4 | s recommended installation spacing | ⚖ |
|------------------------|----|---|-----------|----|--------------------------------------|------|---------|------------------------------------|-----|
| GN 2240-30-K8-8-AL-* | 30 | 8-8 | M 4 | 35 | 11 | 5.5 | 10 | 1.5 | 51 |
| GN 2240-30-K8-10-AL-* | 30 | 8-10 | M 4 | 35 | 11 | 5.5 | 10 | 1.5 | 51 |
| GN 2240-30-K8-12-AL-* | 30 | 8-12 | M 4 | 35 | 11 | 5.5 | 10 | 1.5 | 51 |
| GN 2240-30-K8-14-AL-* | 30 | 8-14 | M 4 / M 3 | 35 | 11 | 5.5 | 10 / 11 | 1.5 | 51 |
| GN 2240-30-K10-10-AL-* | 30 | 10-10 | M 4 | 35 | 11 | 5.5 | 10 | 1.5 | 51 |
| GN 2240-30-K10-12-AL-* | 30 | 10-12 | M 4 | 35 | 11 | 5.5 | 10 | 1.5 | 51 |
| GN 2240-30-K10-14-AL-* | 30 | 10-14 | M 4 / M 3 | 35 | 11 | 5.5 | 10 / 11 | 1.5 | 51 |
| GN 2240-30-K12-12-AL-* | 30 | 12-12 | M 4 | 35 | 11 | 5.5 | 10 | 1.5 | 51 |
| GN 2240-30-K12-14-AL-* | 30 | 12-14 | M 4 / M 3 | 35 | 11 | 5.5 | 10 / 11 | 1.5 | 51 |
| GN 2240-30-K14-14-AL-* | 30 | 14-14 | M 3 | 35 | 11 | 5.5 | 11 | 1.5 | 51 |
| GN 2240-40-K12-12-AL-* | 40 | 12-12 | M 5 | 66 | 25 | 8.5 | 14 | 2 | 181 |
| GN 2240-40-K12-14-AL-* | 40 | 12-14 | M 5 | 66 | 25 | 8.5 | 14 | 2 | 181 |
| GN 2240-40-K12-15-AL-* | 40 | 12-15 | M 5 | 66 | 25 | 8.5 | 14 | 2 | 181 |
| GN 2240-40-K12-16-AL-* | 40 | 12-16 | M 5 | 66 | 25 | 8.5 | 14 | 2 | 181 |
| GN 2240-40-K14-14-AL-* | 40 | 14-14 | M 5 | 66 | 25 | 8.5 | 14 | 2 | 181 |
| GN 2240-40-K14-15-AL-* | 40 | 14-15 | M 5 | 66 | 25 | 8.5 | 14 | 2 | 181 |
| GN 2240-40-K14-16-AL-* | 40 | 14-16 | M 5 | 66 | 25 | 8.5 | 14 | 2 | 181 |
| GN 2240-40-K15-15-AL-* | 40 | 15-15 | M 5 | 66 | 25 | 8.5 | 14 | 2 | 181 |
| GN 2240-40-K15-16-AL-* | 40 | 15-16 | M 5 | 66 | 25 | 8.5 | 14 | 2 | 181 |
| GN 2240-40-K16-16-AL-* | 40 | 16-16 | M 5 | 66 | 25 | 8.5 | 14 | 2 | 181 |
| GN 2240-55-K18-18-AL-* | 55 | 18-18 | M 6 | 78 | 30 | 10.5 | 20 | 2 | 414 |
| GN 2240-55-K18-19-AL-* | 55 | 18-19 | M 6 | 78 | 30 | 10.5 | 20 | 2 | 414 |
| GN 2240-55-K18-20-AL-* | 55 | 18-20 | M 6 | 78 | 30 | 10.5 | 20 | 2 | 414 |
| GN 2240-55-K18-25-AL-* | 55 | 18-25 | M 6 | 78 | 30 | 10.5 | 20 | 2 | 414 |
| GN 2240-55-K19-19-AL-* | 55 | 19-19 | M 6 | 78 | 30 | 10.5 | 20 | 2 | 414 |
| GN 2240-55-K19-20-AL-* | 55 | 19-20 | M 6 | 78 | 30 | 10.5 | 20 | 2 | 414 |
| GN 2240-55-K19-25-AL-* | 55 | 19-25 | M 6 | 78 | 30 | 10.5 | 20 | 2 | 414 |
| GN 2240-55-K20-20-AL-* | 55 | 20-20 | M 6 | 78 | 30 | 10.5 | 20 | 2 | 414 |
| GN 2240-55-K20-25-AL-* | 55 | 20-25 | M 6 | 78 | 30 | 10.5 | 20 | 2 | 414 |
| GN 2240-55-K25-25-AL-* | 55 | 25-25 | M 6 | 78 | 30 | 10.5 | 20 | 2 | 414 |

Weight type BS

